



# MEGACUT



## Features

- > PLC controlled automatic metallographic cutting machine, suitable for large samples
- > Cutting chamber fully accessible from all directions
- > Three controlled axes, sample laser alignment system and cutting speed frequency conversion control
- > Two cutting principles: swing and continuous cutting
- > Cutting table provided with T-slots to assemble different vices
- > Touch screen 10" for displaying cutting data and samples positioning
- > Cutting chamber equipped with internal LED illumination and ventilation system in order to increase visibility during the process. Supplied with a cooling system complete with rinse channel and magnetic separator
- > This series is suitable for quality control, automotive, aeronautical industry, scientific research institutes and universities.

Model	MEGACUT-120	MEGACUT-200	MEGACUT-300
Cutting capacity	Max. ø 100mm	Max. ø 120mm	Max. ø 130mm
Cutting disc dimensions	Max. ø 380 x ø 32mm	Max. ø 400 x ø 32mm	Max. ø 400 x ø 32mm
Cutting depth	120mm	200mm	300mm
Working chamber LxW	780x950mm	780x1050mm	880x1300mm
T-slots table LxW	450x350mm	485x400mm	630x530mm
Clamping caliper	120mm	200mm	300mm
Y axis travel	250mm	300mm	420mm
Z axis travel	160mm	230mm	230mm
Axes speed	3,5,8,18 mm/min customizable	3,5,8,18 mm/min customizable	3,5,8,18 mm/min customizable
Speed	500÷2800rpm	500÷2800rpm	500÷2800rpm
Noise level	<70dB	<70dB	<70dB
Operating temperature	0÷30°C	0÷30°C	0÷30°C
Humidity non-condensing	<65%	<65%	<65%
Motor power	5500W	7500W	7500W
Power supply	400V ±10% - 50/60Hz - 3Ph	400V ±10% - 50/60Hz - 3Ph	400V ±10% - 50/60Hz - 3Ph
Cooling tank	Capacity	120l	120l
	Dimensions	800x900x850mm	800x900x850mm
	Weight	152kg	152kg
Machine	Dimensions	1400x1000x1850mm	1550x1100x190mm
	Weight	1800kg	2200kg

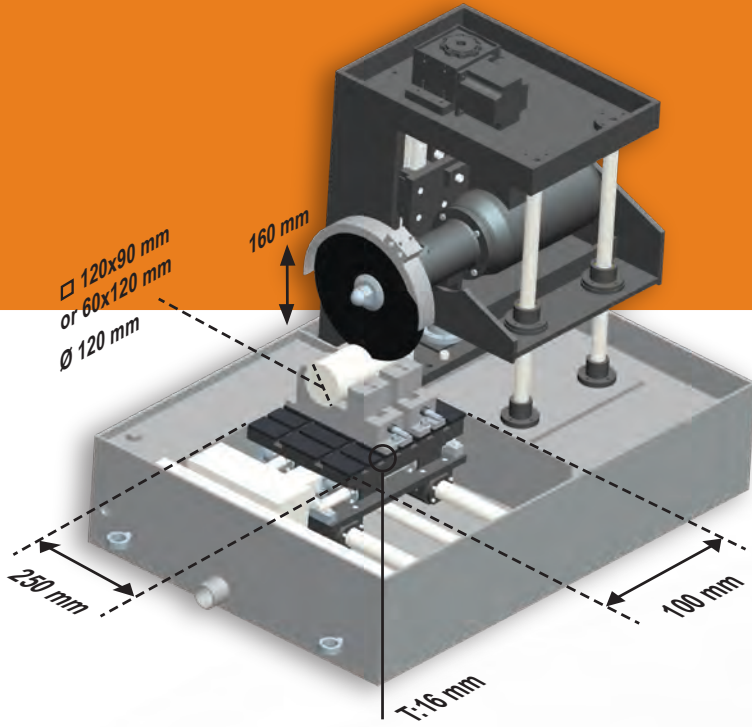
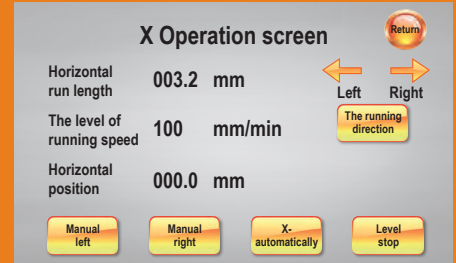
### Standard accessories

Clamp for metallic and non-metallic materials such as steel, iron, aluminium, copper, ceramics, crystals, rocks, etc. 120mm; cooling tank with pipes; spanners 41mm- 46mm; cutting disc ø 380x2 x ø 32

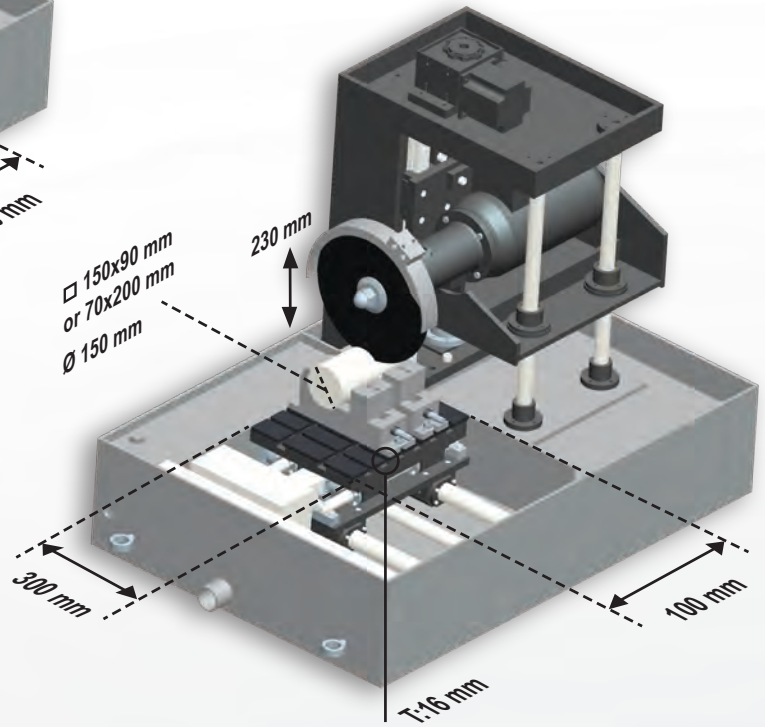
### Optional accessories

195MEGA46

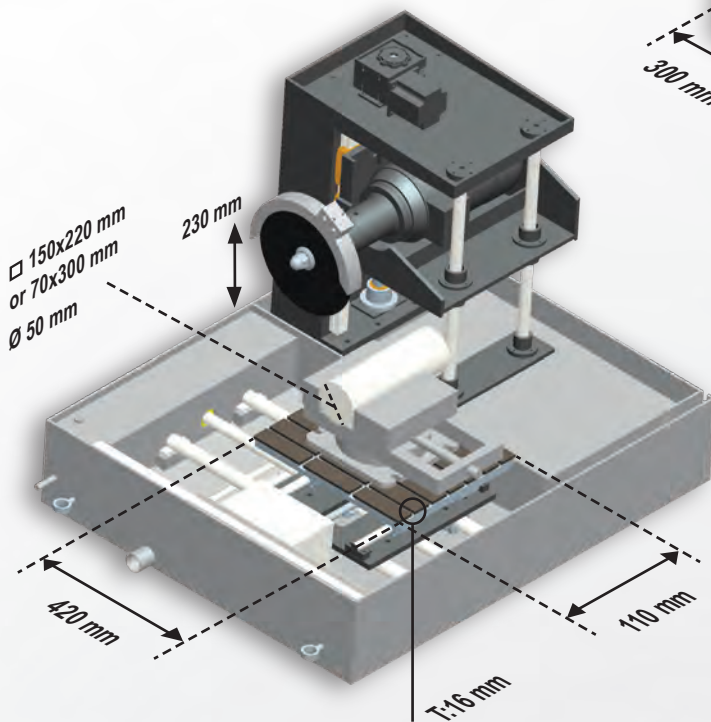
Vertical clamp for irregular shaped samples. Max. clamping 90mm. Suitable for all machines with 12mm T-slots.



**MEGACUT-120**



**MEGACUT-200**



**MEGACUT-300**



**DEVCO S.r.l.**

Via Marzabotto, 59 20037 Paderno Dugnano (MI)  
Tel +39 0283591153 - Fax. +39 0295441300  
[www.devcosrl.it](http://www.devcosrl.it) - e-mail: [info@devcosrl.it](mailto:info@devcosrl.it)

[www.echo-lab.it](http://www.echo-lab.it)